

# Technical Bulletin

Model  
911 C4/T

Group  
4

**Subject:** Relay for Hydraulic Brake Pump

Part Identifier  
4554

Number  
9206

**ATTENTION: Service Manager/Service Technician**

**Models Affected:** *911 Carrera 4, 1989 - on*  
*911 Turbo, 1991 - on*

**Concern:** Possible relay sticking in the on position causing hydraulic pump and supply line to overheat. (See Figure B for possible affected parts.).

**Work Procedure:** When repairing pump or supply line, always replace the relay along with the affected parts.

**Parts Information:** Brake Pump Relay Part Number 964 615 135 00  
Location (Figure A)  
R51 in central electric board

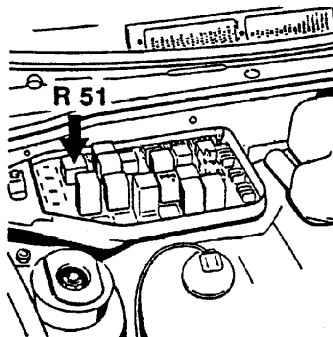
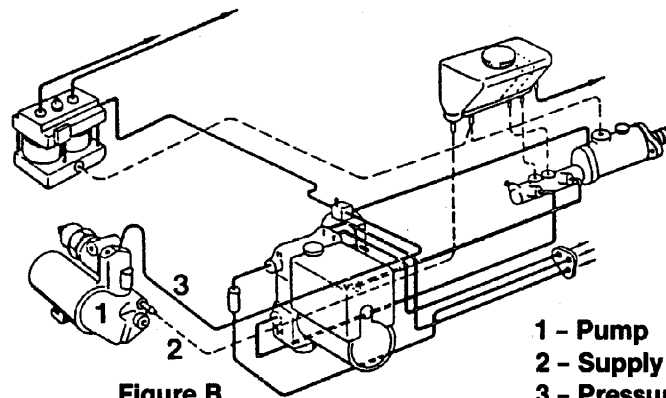


Figure A



1 - Pump  
2 - Supply line  
3 - Pressure line

PORSCHE CARS NORTH AMERICA INC.

